

Spinaker Launch Tube - 80-53-2

Screw - 67-01-7

Micro Block - 33-15-2  
Trapeze Shockcord

Deckstrap - 30-10-0

Bullet Block - 36-34-2

Screw Hatch Cap & Ring - 35-41-0

Screw Hatch Bag - 30-33-0

Clamcleat - Stbd - 34-06-2

Spinnaker Sheet

Shroud Strap - 33-04-2

Centerboard Carpet Set - 25-05-2 (2 Req'd)

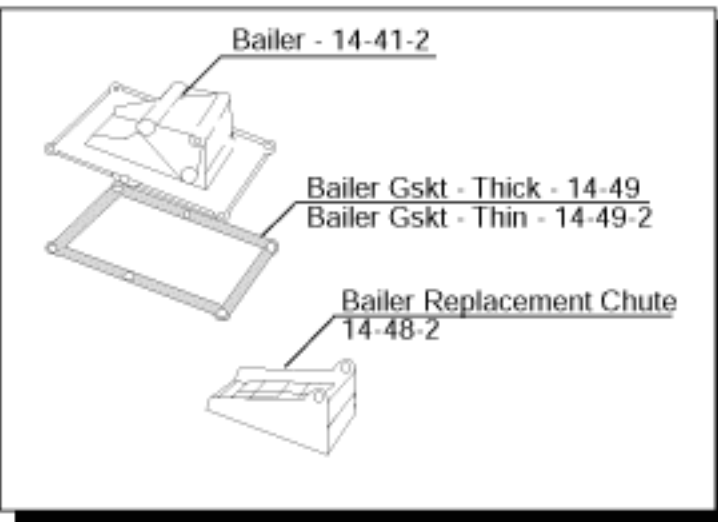
Fairlead - 36-02-0

Trapeze Shockcord

Hexaratchet - 30-12-0

Ratchet Spring - 30-19-0

Ronstan Swivel Base  
36-37-2



Bow Eye - 33-01-2

Clamcleat - 80-23-0

Jib Cunningham

Maststep -  
33-04-5

Screw - 91-01

Locknut -  
90-20

S.S. Hiking Strap Plate - NLA

Plastic Hiking Strap Plate - 30-09-1

Grabrail - Gray - 36-08-0

Anchor Plug - Grabrail - 31-08-0

Padded Hiking Strap - Neon Yellow  
NLA

Screw - 91-01

Screw - 42454

Clamcleat - traveler - 80-23-0

Screw - 91-01

Fairlead - 36-02-0  
Traveler

Screw Hatch Cap & Ring - 35-41-0  
Screw Hatch Bag - 30-33-0

Jib Track - 54-35-2  
(Pair)

Bolt -  
42446

Clamcleat - Port - 34-05-2  
Spinnaker Sheet

Bolt - 90-22

Washer - 90-21

Locknut - 90-20

Screw - 42454

Camcleat - 35-60-2  
Spinn. Sheet

Screw - 42411

Fairlead - 36-11-0  
Spinnaker Sheet

Washer - 90-21

Locknut - 42117

Plate - Shroud Strap  
33-05-2

Non-Skid Set (2 x 5 Ft)  
34-14-2

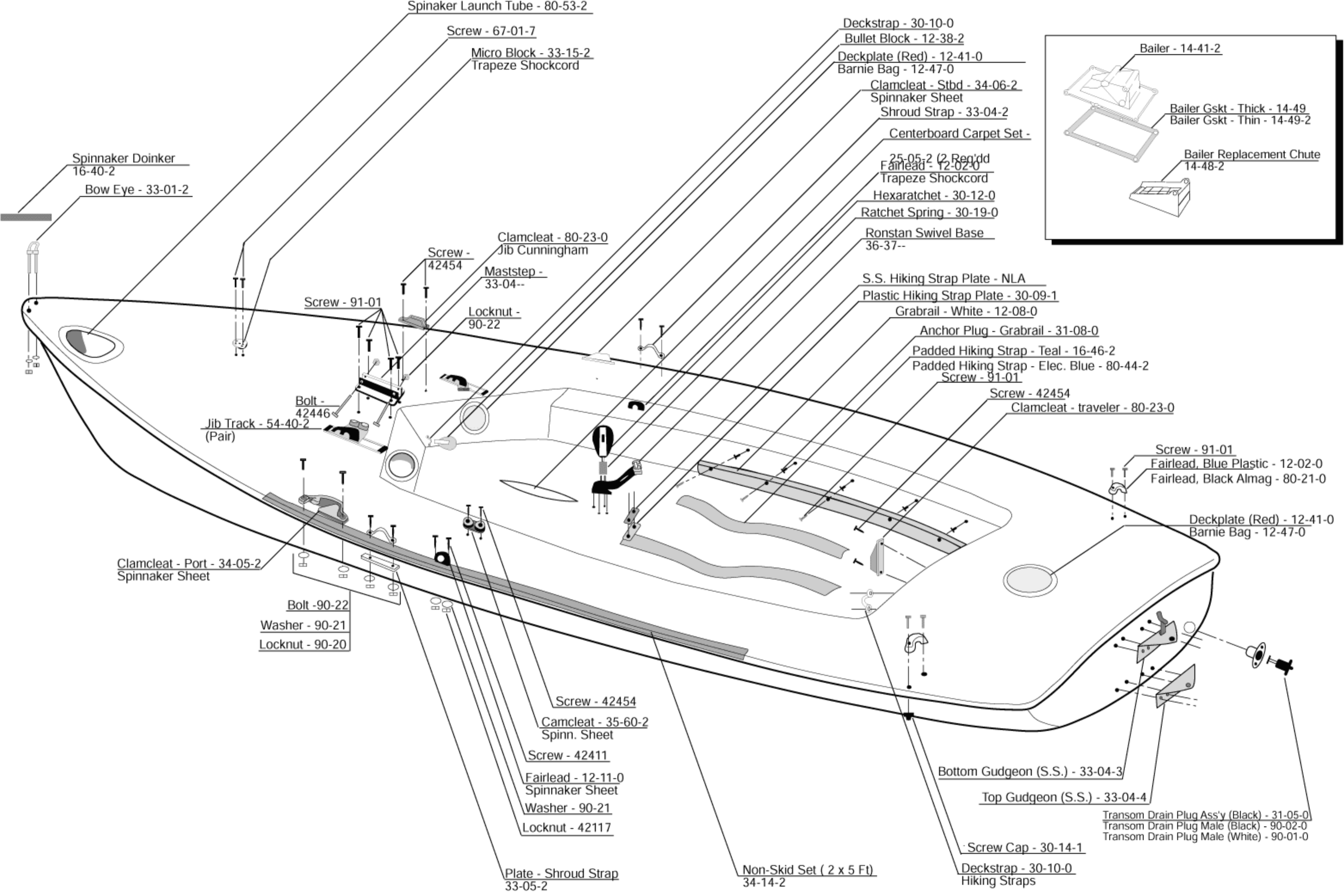
Bottom Gudgeon (S.S.) - 33-04-3

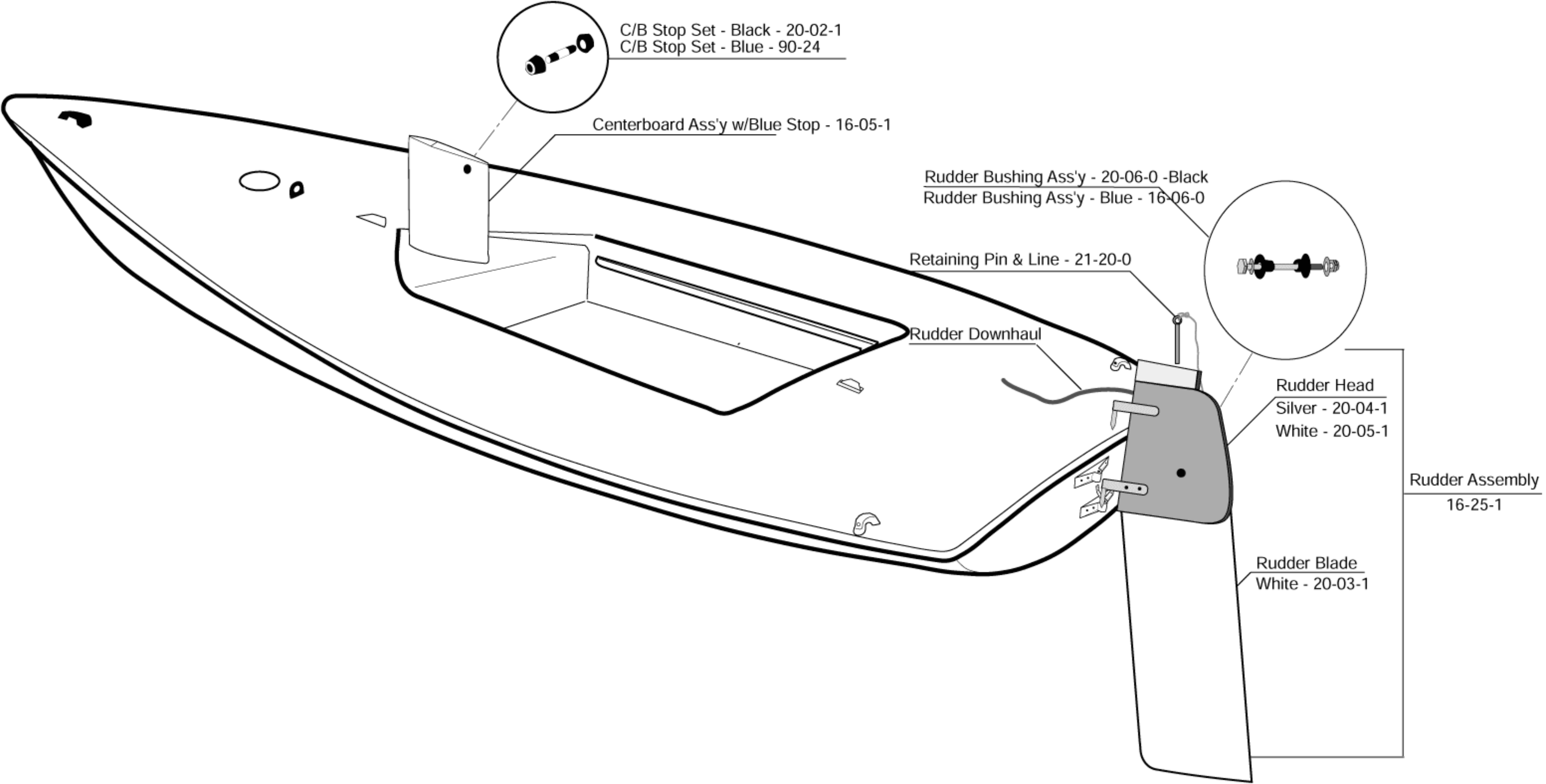
Top Gudgeon (S.S.) - 33-04-4

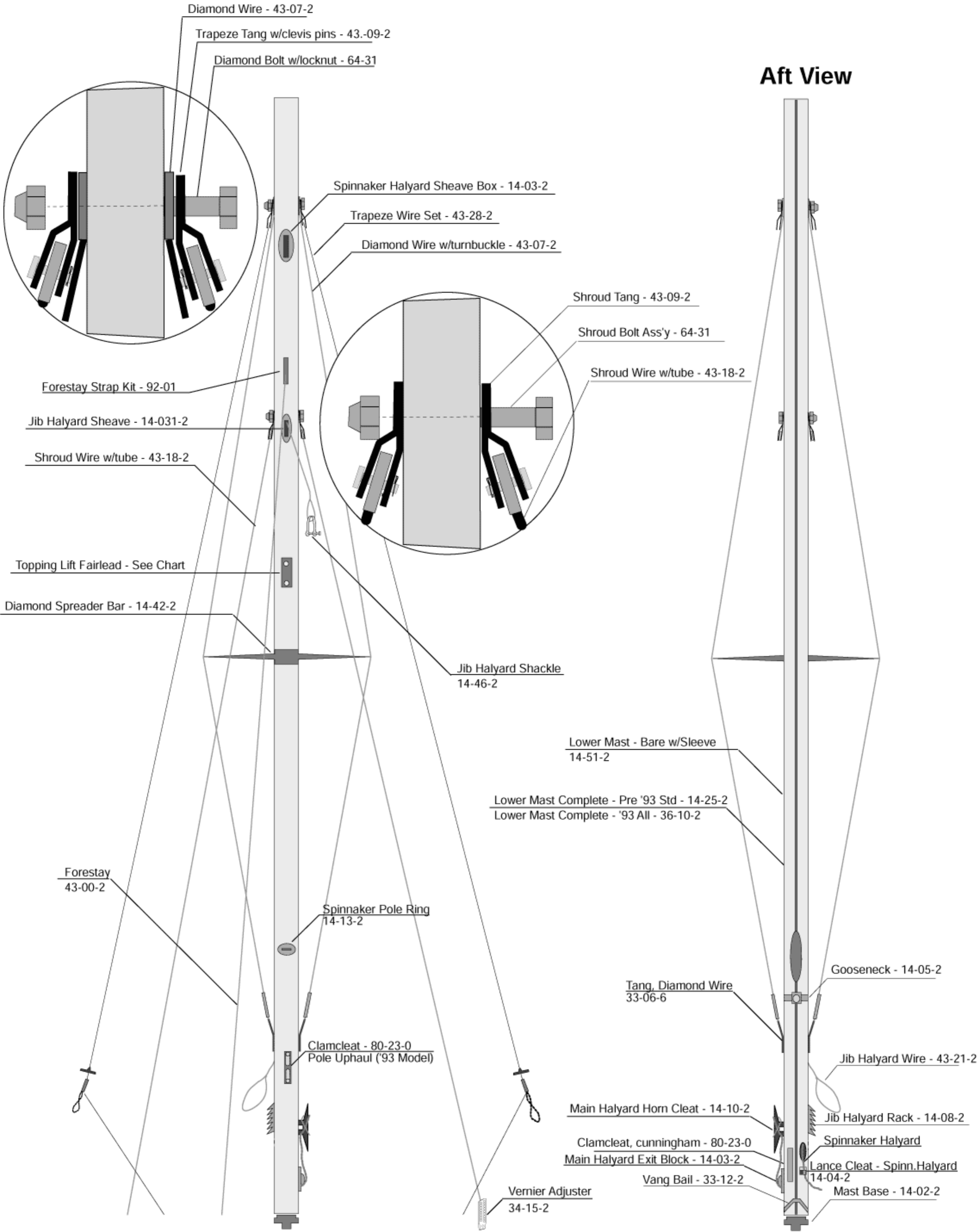
Screw Cap - 30-14-1

Deckstrap - 30-10-0  
Hiking Straps

Transom Drain Plug Ass'y (Black) - 31-05-0  
Transom Drain Plug Male (Black) - 90-02-0  
Transom Drain Plug Male (White) - 90-01-0







# Aft View

Diamond Wire - 43-07-2

Trapeze Tang w/clevis pins - 43-09-2

Diamond Bolt w/locknut - 64-31

Spinnaker Halyard Sheave Box - 14-03-2

Trapeze Wire Set - 43-28-2

Diamond Wire w/turnbuckle - 43-07-2

Shroud Tang - 43-09-2

Shroud Bolt Ass'y - 64-31

Shroud Wire w/tube - 43-18-2

Forestay Strap Kit - 92-01

Jib Halyard Sheave - 14-031-2

Shroud Wire w/tube - 43-18-2

Topping Lift Fairlead - See Chart

Diamond Spreader Bar - 14-42-2

Jib Halyard Shackle  
14-46-2

Lower Mast - Bare w/Sleeve  
14-51-2

Lower Mast Complete - Pre '93 Std - 14-25-2  
Lower Mast Complete - '93 All - 36-10-2

Forestay  
43-00-2

Spinnaker Pole Ring  
14-13-2

Clamcleat - 80-23-0  
Pole Uphaul ('93 Model)

Vernier Adjuster  
34-15-2

Tang, Diamond Wire  
33-06-6

Gooseneck - 14-05-2

Jib Halyard Wire - 43-21-2

Main Halyard Horn Cleat - 14-10-2

Clamcleat, cunningham - 80-23-0  
Main Halyard Exit Block - 14-03-2

Vang Bail - 33-12-2

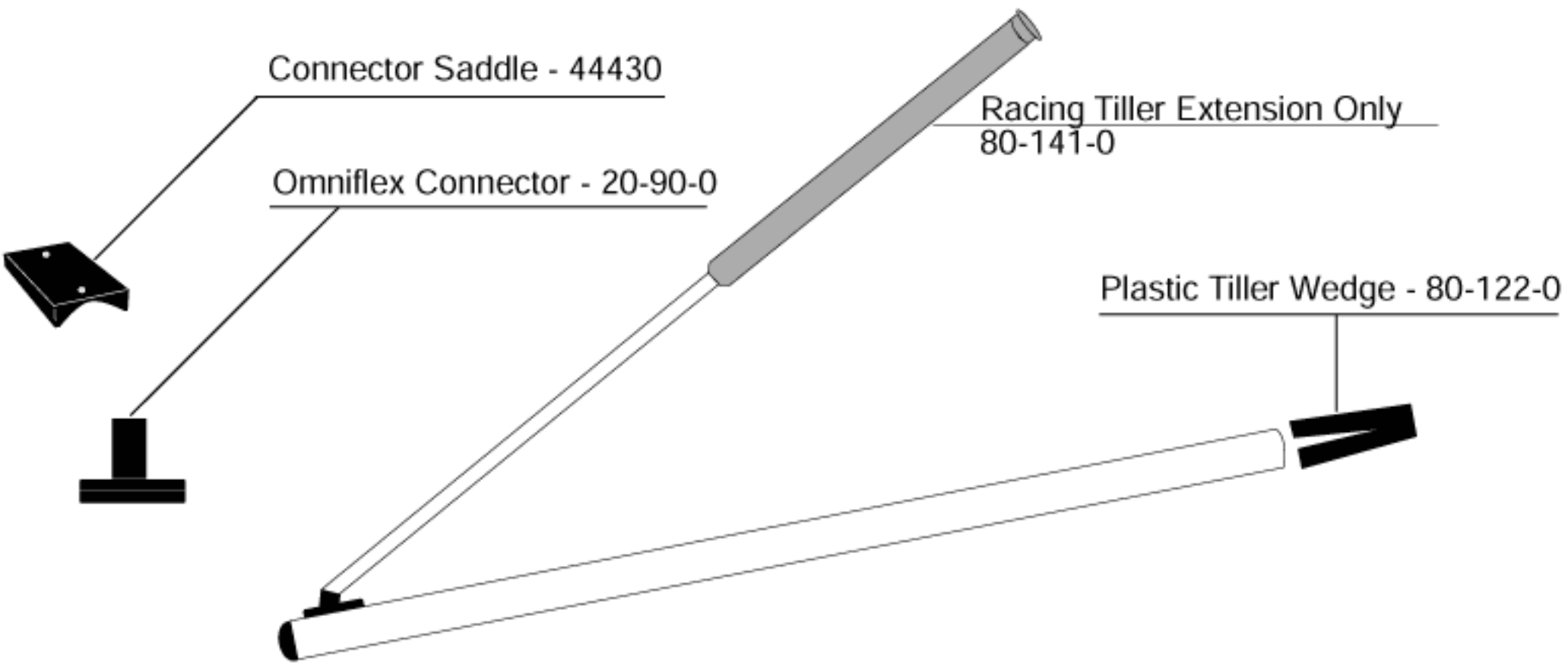
Jib Halyard Rack - 14-08-2

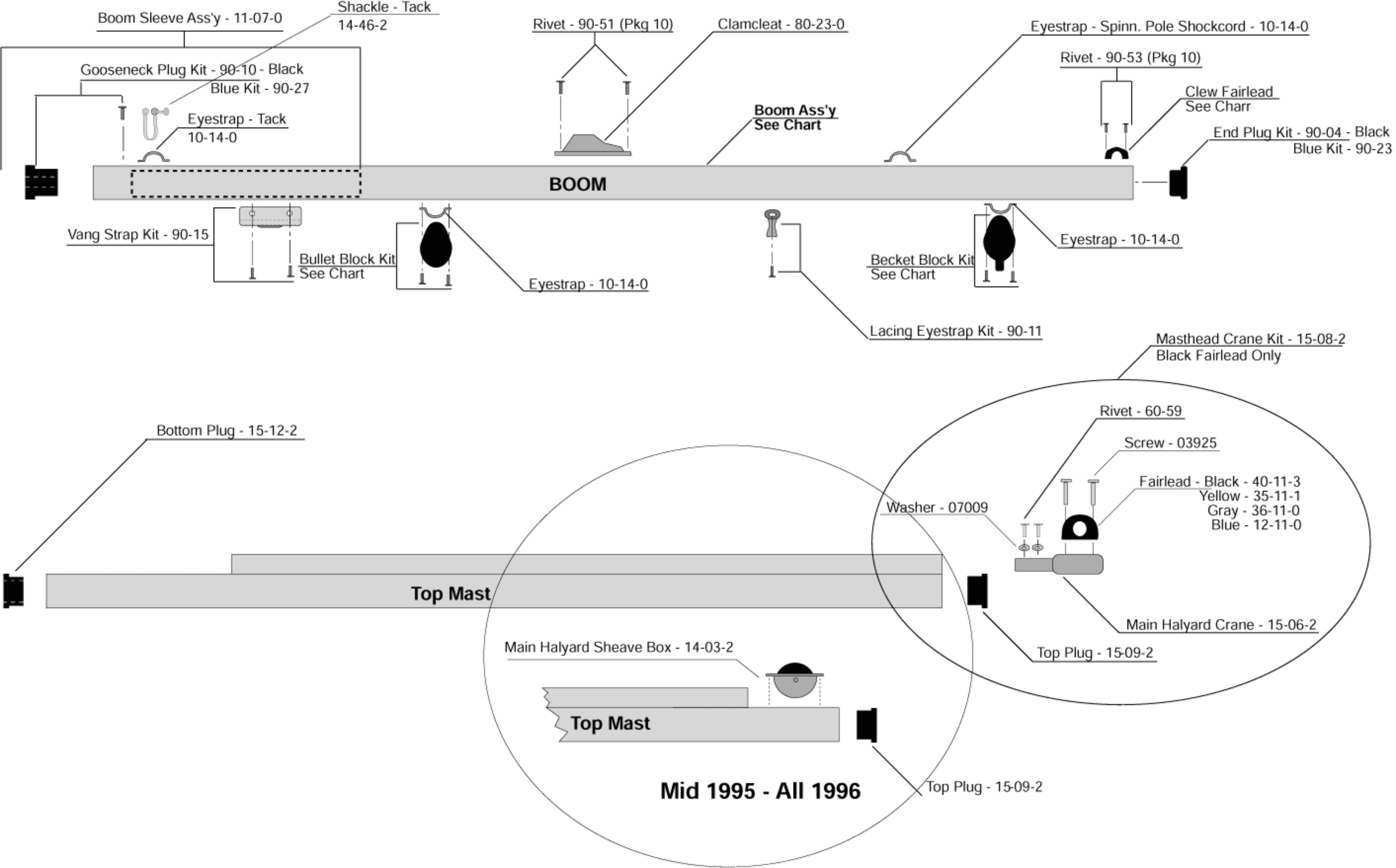
Spinnaker Halyard

Lance Cleat - Spinn.Halyard  
14-04-2

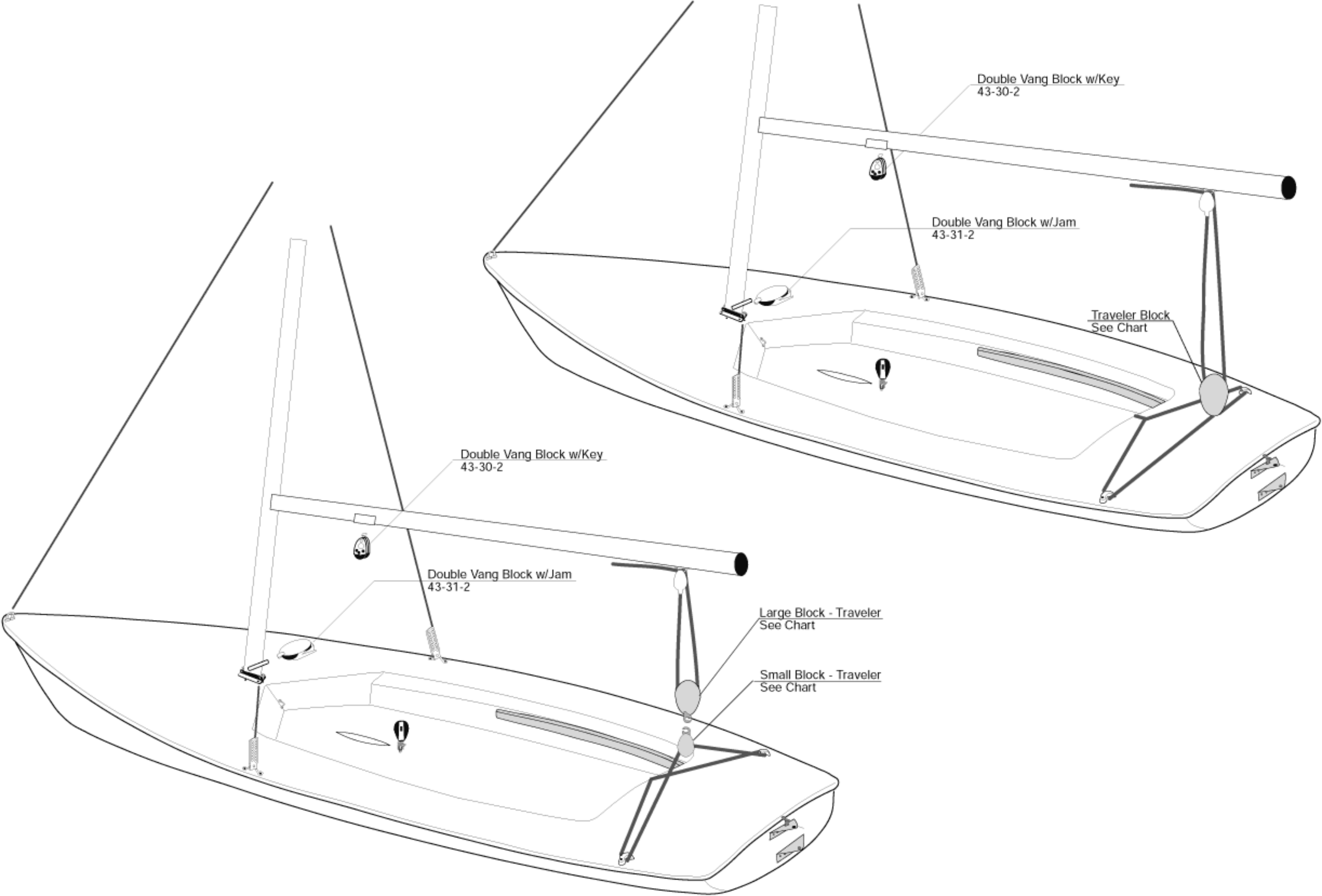
Mast Base - 14-02-2

# White Racing Tiller - 80-14-0









Double Vang Block w/Key  
43-30-2

Double Vang Block w/Jam  
43-31-2

Traveler Block  
See Chart

Double Vang Block w/Key  
43-30-2

Double Vang Block w/Jam  
43-31-2

Large Block - Traveler  
See Chart

Small Block - Traveler  
See Chart

# Wood Tiller Ass'y - 21-11-0

